



Total Solution Provider in Saw Device

SA1575FL1

GPS, Balanced RF SAW Filter
Revision 0: April 2005



- Electrical Characteristics
 - Package Dimensions
 - Testing Environment
 - Frequency Characteristics
-

SAWNICS Inc.

460 Cheonheung-ri, Seonggeo-eup, Cheonan-si, Chungcheongnam-do, 330-836 / Korea.
Tel: +82 41 550 9372 / Fax: +82 41 550 9399 / www.sawnics.com

□ Electrical Characteristics

Maximum Ratings

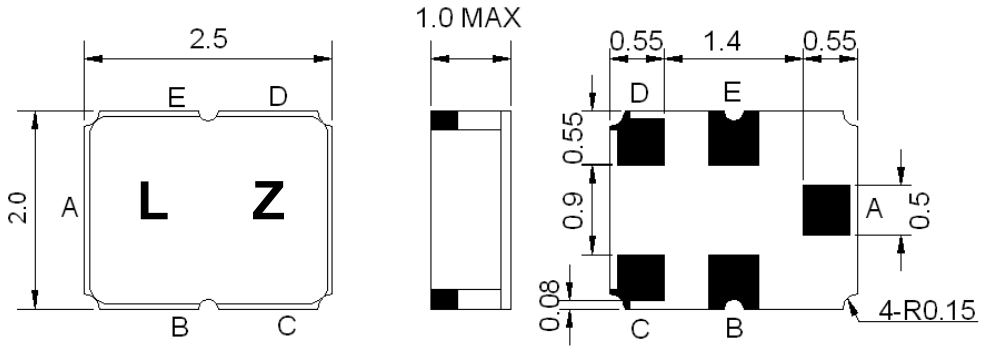
Parameters Description	Unit	Minimum	Typical	Maximum
Operating Temperature Range	°C	-30	-	+85
Storage Temperature Range	°C	-40	-	+85
Maximum DC Voltage	V	-	-	7.5
Maximum Input Power	dBm	-	-	20
Source Impedance (single ended) ⁽¹⁾	Ω	-	50	-
Load Impedance (balanced ended) ⁽¹⁾	Ω	-	100	-
Package type & size	L1			
Length x Width	mm ²	-	2.5 x 2.0	-
Height	mm	-	-	1.0

Electrical Specification

Parameters Description	Unit	Minimum	Typical	Maximum
Center Frequency (Fo)	MHz	-	1575.42	-
Insertion Loss within 1574.42~1576.42MHz	dB	-	2.1	2.6
Amplitude Ripple within 1574.42~1576.42MHz	dB _{p-p}	-	0.1	0.5
Attenuation:				
D.C. ~ 1450 MHz	dB	30	35	-
1450 ~ 1475 MHz	dB	25	30	-
1475 ~ 1525 MHz	dB	18	33	-
1625 ~ 1675 MHz	dB	10	15	-
1675 ~ 1775 MHz	dB	20	24	-
1775 ~ 3000 MHz	dB	30	34	-
Input VSWR within 1574.42~1576.42 MHz	-	-	1.2	1.8
Output VSWR within 1574.42~1576.42 MHz	-	-	1.4	1.8
Symmetry in band (1574.42~1576.42 MHz)	-			
Output Amplitude balance(S31 / S21)	dB	-1.5	0.5	1.5
Output phase balance(Φ(s31)-Φ(s21)+180)	degree	-15	9.4	15

Notes : (1) With Matching Network

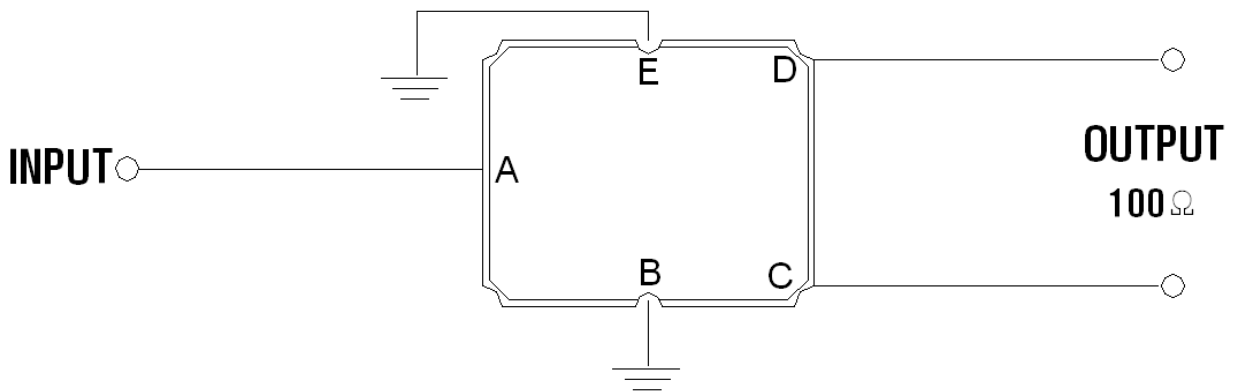
Package Dimensions



Marking Descriptions	
L	Series Number
Z	Date Code(Year+Month)

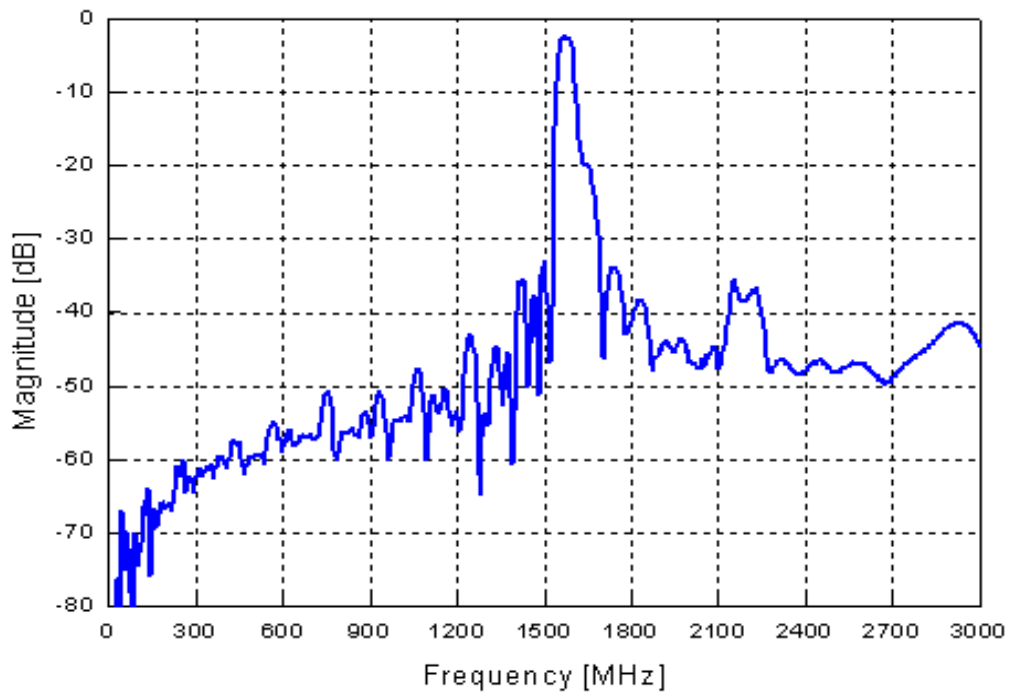
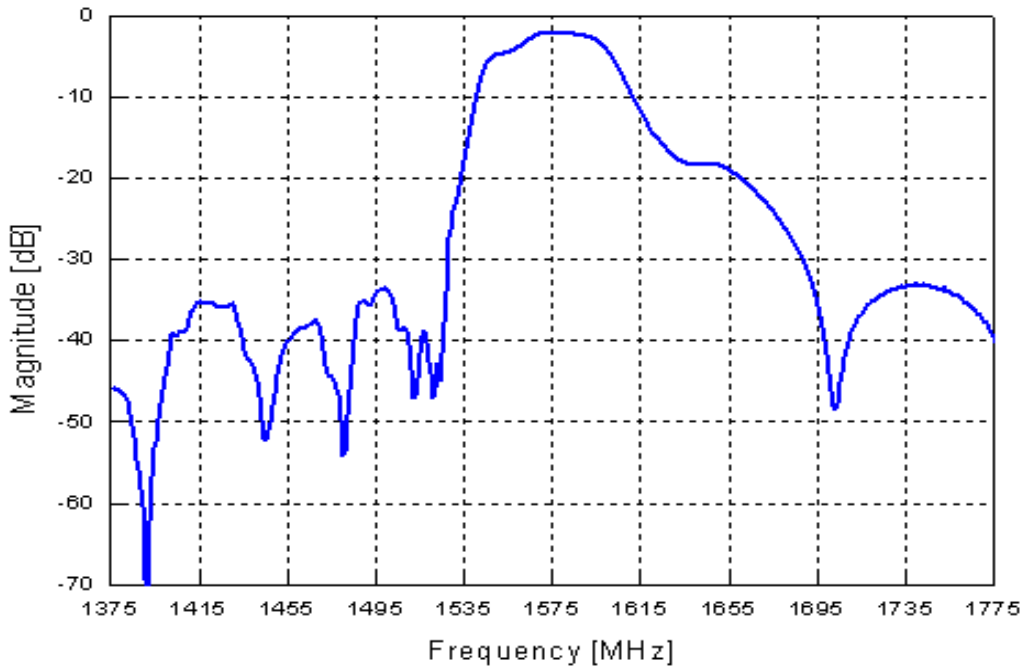
Pin Description	
B , E	Ground
A	In
C , D	Out

Testing Environment

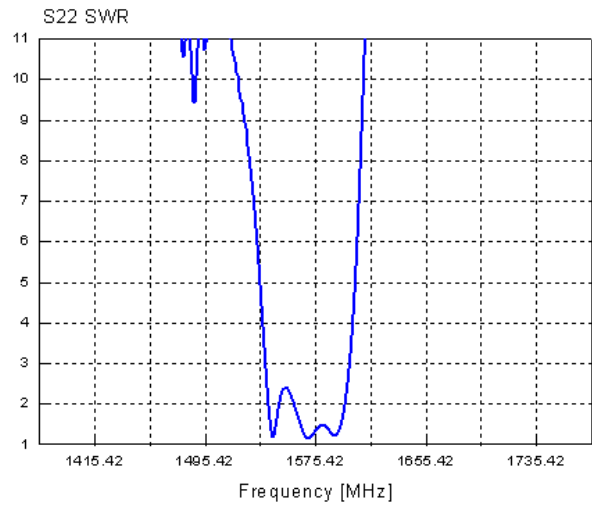
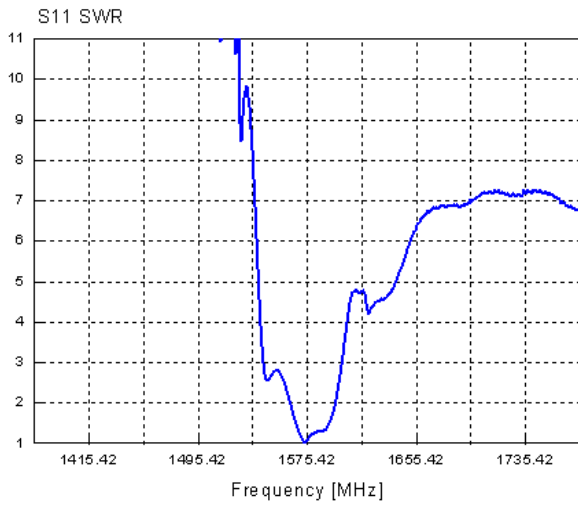


□ Frequency Characteristics

Frequency Response



VSWR



Smith Chart

